

Trench Cover Hoist Rings

Load Rated



SEE APPLICATION AND WARNING INFORMATION

Para Español: www.thecrosbygroup.com

On Page 184-185

HR-500

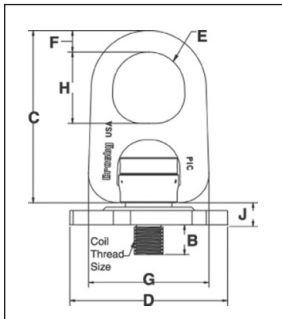


- Designed to simplify the lifting and placement of steel plates used to cover trenches in streets.
- Provides a standard fitting to be used in place of products not designed for trench cover applications.
- Capacities of 2.27, 4.54 & 6.82t for plate thicknesses of 19mm to 38mm.
- Detailed welding instructions included with every hoist ring.
- Forged bail provides the following:
 - Easily readable "Raised Lettering" showing the name Crosby or "CG" and PIC code for material traceability.
 - More durability provides the increased "Toughness" desired in potentially abusive field conditions.
- 180 degree pivot and 360 degree rotation at full capacity.
- Design Factor of 5 to 1.
- Individually Proof Tested to 2-1/2 times Working Load Limit.
- All sizes are **RFID EQUIPPED**.

HRN-500



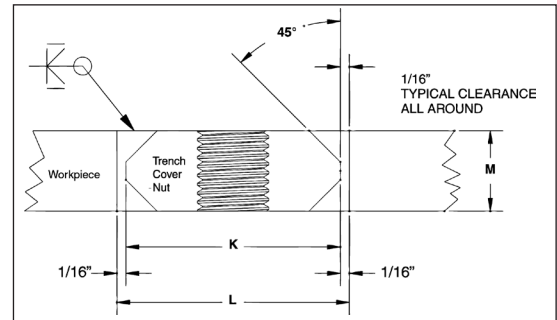
HR-500 Trench Cover Hoist Rings Coil Threads



HR-500 Stock No.	Working Load Limit (t)*	Weight Each (kg)	Dimensions (mm)								
			Coil Thread Size "A"	Effective Thread Projection Length B	C	D	Radius E	F	G	H	J
1017907	2.27	2.5	1" - 3.5	25.4	150	140	31.8	19.1	107	63.5	19.6
1017916	4.54	7.1	1-1/4" - 3.5	25.4	210	178	41.4	25.4	159	82.5	20.6
1017925	6.82	13.5	1-1/2" - 3.5	38.1	270	232	51.0	31.8	199	102	20.3

*Ultimate Load is 5 times the Working Load Limit.

HRN-500 Trench Cover Nuts



HRN-500 Stock No.	Working Load Limit (t)	Weight Each (kg)	Coil Thread Size	Dimensions (mm)		
				Nut Diam. "K"	Trench Cover Hole Diam. "L"	Nut Thickness "M"
1063405	2.27	.45	1" - 3.5	76.2	79.2	19.1
1063414	2.27	.64	1" - 3.5	76.2	79.2	22.4
1063423	2.27	.73	1" - 3.5	76.2	79.2	25.4
1063432	4.54	.50	1-1/4" - 3.5	76.2	79.2	19.1
1063441	4.54	.59	1-1/4" - 3.5	76.2	79.2	22.4
1063450	4.54	.68	1-1/4" - 3.5	76.2	79.2	25.4
1063454	4.54	.86	1-1/4" - 3.5	76.2	79.2	31.8
1063458	4.54	1.04	1-1/4" - 3.5	76.2	79.2	38.1
1063469	6.82	.91	1-1/2" - 3.5	88.9	91.9	25.4
1063478	6.82	1.18	1-1/2" - 3.5	88.9	91.9	31.8
1063487	6.82	1.41	1-1/2" - 3.5	88.9	91.9	38.1